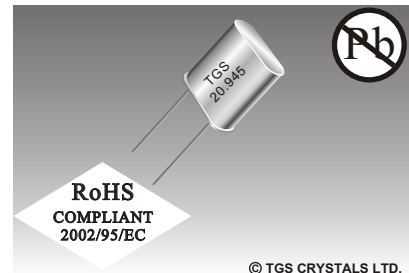


FEATURES

- Wide Frequency Range
- Offer Fitted Insulators & Cropped Leads
- Tight Tolerance and Stability Over Temperature
- Lead Free available

APPLICATIONS

- Pagers
- Communications
- Telemetry
- Automotive Electronics



© TGS CRYSTALS LTD.

SPECIFICATION \*

Parameters	Product		Option Code	
	UM-1	UM-5	CA	CB
Frequency Range:	6.00~200.0MHz		Specify	
Oscillation Mode:	AT Fund.(6~40MHz)		A	
	BT Fund.(25~40MHz)		B	
	3rd OT(25~100MHz)		C	
	5th OT(80~155MHz)		D	
	7th OT(120~200MHz)		E	
Frequency Tolerance:	±5ppm		5	
	±7.5ppm		7.5	
	±10ppm		10	
	±20ppm		20	
	±30ppm		30	
	±50ppm		50	
	Other Values		Specify	
Load Capacitance:	12pF		12	
	16pF		16	
	20pF		20	
	30pF		30	
	Series Resonant		S	
	Other Values		Specify	
Frequency Stability:	±5ppm		5	
	±7.5ppm		7.5	
	±10ppm		10	
	±20ppm		20	
	±30ppm		30	
	±50ppm		50	
	Other Values		Specify	
Operating Temp. Range:	0℃~+50℃		0	
	-10℃~+60℃		10	
	-20℃~+70℃		20	
	-40℃~+85℃		40	
	Other Values		Specify	
Storage Temp. Range:	-40℃~+85℃		▲	
Equivalent Series Resistance (ESR):	See Table 1		Specify	
Drive Level:	1000 uW Max.		▲	
Shunt Capacitance (C 0):	7.0 pF Max.		▲	
Aging:	±5ppm Max.		▲	
Package:	Bulk		B	
Other Values:	3 pins		3	
	Leads Cropped to 4.0mm		L4.0	
	Fitted Insulating Washer		W	
	Lead Free		LF	

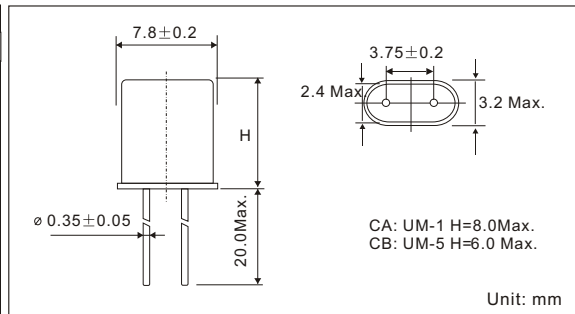
▲ Standard \* Specifications Subject to Change Without Notice  
 △ Optional: please specify required code when inquiring or ordering

PARTNUMBER GUIDE

TGS	C	A	10M0	A	50	-20	-50	-10	-50	-B	L4.0
Mark	Quartz Crystals	A: UM-1 B: UM-5	Freq. Range	Oscillation Mode	Freq. Tolerance	Load Capacitance	Freq. Stability	Operating Temp. Range	ESR	Package	Other Values

e.g. Full P/N.: TGS CA 10M0A50-20-50-10-50B L4.0  
 Short P/N.: CA 10M0A20B L4.0 (Others is standard Spec.)

DIMENSIONS



ESR VALUES

Table 1

Frequency Range (MHz)	ESR Max (ohm)	Frequency Range (MHz)	ESR Max (ohm)
6.0000~6.99900	120	20.0000~23.9990	30
7.0000~9.99900	100	24.0000~34.9990	100
10.000~13.9990	50	35.0000~99.999	80
14.0000~19.9990	40	100.000~200.000	150

PACKAGE

- Standard package in bulk: 100pcs/bag, 10 bags/inner box, 10 box/carton
- Available on T/R & AMNO-Pack - 1000pcs per reel. See page 116 for detail dimensions

