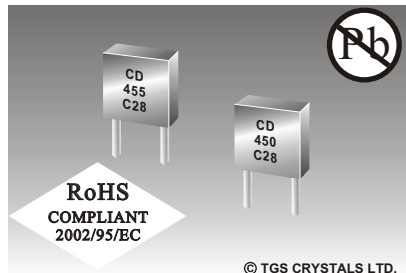


FEATURES

- Low Insertion Loss
- Very Low Profile

APPLICATIONS

- Discriminator For FM
- For Communication



© TGS CRYSTALS LTD.

SPECIFICATION FOR 450KHz*

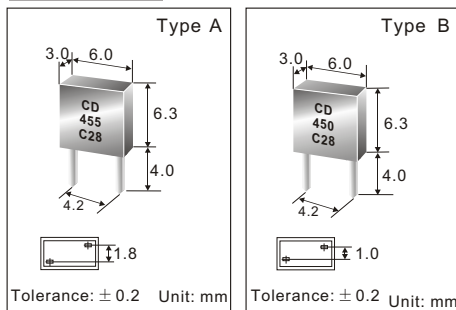
Part Number	Demodulation 3dB Band Width	Demodulation Output (450KHz)	Distortion Factor (450KHz)	Impedance Chan					IC Maker	IC Number
				Resonant Freq. Fr (KHz)	Antiresonant Freq. (Fa)	ΔF(Fa-Fr)	Resonant Resistance (Rr)	Capacitance (C)		
CD□450C3					455±1.5KHz	46±5.0KHz	70 Ω Max.	550pF±20%	Sony	CXA1184M
CD□450C4					470±1.0KHz	43±2.0KHz	300 Ω Max.	140pF±20%	Sanyo	LA8610
CD□450C7	±4.0KHz Min	340±60mv	3.0% Max.						Motorola	MC3357
CD□450C9	±5.0KHz Min	100mV Min	1.5% Max.						Signetics	NE604N
CD□450C10				429±2.0		51±5.0KHz	70 Ω Max.	580pF±20%	Toshiba	TA8103F
CD□450C16	±4.0KHz Min	185±40mv	2.0% Max.						Motorola	MC3372
CD□450C18	±3.0KHz Min	180±40mv	2.0% Max.						Motorola	MC3371
CD□450C21	±4.0KHz Min	55±20mv	2.0% Max.						Toshiba	TA31132
CD□450C24	±4.0KHz Min	100±40mv	2.0% Max.						Toshiba	TA31136
CD□450C25					465±1.5KHz	45±4.0KHz	300 Ω Max.	135pF±20%	Sony	CXA1484
CD□450C28	±4.0KHz Min	40±20mv	3.0% Max.						Toshiba	TA31142
CD□450C29	±4.0KHz Min	125±30mv	2.5% Max.						Signetics	ME605
CD□450C32	±4.0KHz Min	40±20mv	3.0% Max.						Toshiba	TA31143
CD□450C40	±4.0KHz Min	40±20mv	3.0% Max.						Toshiba	TA31145
CD□450C49	±4.0KHz Min	45±10mv	3.0% Max.						Motorola	MC3361
CD□450C50	±4.0KHz Min	64±6.4mv	4.0% Max.						Sony	CXA3117

SPECIFICATION FOR 455KHz*

Part Number	Demodulation 3dB Band Width	Demodulation Output (455KHz)	Distortion Factor (455KHz)	Impedance Chan					IC Maker	IC Number
				Resonant Freq. Fr (KHz)	Antiresonant Freq. Fa	ΔF(Fa-Fr)	Resonant Resistance (Rr)	Capacitance (C)		
CD□455C3					455±1.5KHz	46±5.0KHz	70 Ω Max.	550pF±20%	Sony	CXA1184M
CD□455C4					470±1.0KHz	43±2.0KHz	300 Ω Max.	140pF±20%	Sanyo	LA8610
CD□455C7	±4.0KHz Min	340±60mv	3.0% Max.						Motorola	MC3357
CD□455C9	±5.0KHz Min	100mV Min	1.5% Max.						Signetics	NE604N
CD□455C10				429±2.0		51±5.0KHz	70 Ω Max.	580pF±20%	Toshiba	TA8103F
CD□455C16	±4.0KHz Min	185±40mv	2.0% Max.						Motorola	MC3372
CD□455C18	±3.0KHz Min	180±40mv	2.0% Max.						Motorola	MC3371
CD□455C21	±4.0KHz Min	55±20mv	2.0% Max.						Toshiba	TA31132
CD□455C24	±4.0KHz Min	100±40mv	2.0% Max.						Toshiba	TA31136
CD□455C25					465±1.5KHz	45±4.0KHz	300 Ω Max.	135pF±20%	Sony	CXA1484
CD□455C28	±4.0KHz Min	40±20mv	3.0% Max.						Toshiba	TA31142
CD□455C29	±4.0KHz Min	125±30mv	2.5% Max.						Signetics	ME605
CD□455C32	±4.0KHz Min	40±20mv	3.0% Max.						Toshiba	TA31143
CD□455C40	±4.0KHz Min	40±20mv	3.0% Max.						Toshiba	TA31145
CD□455C49	±4.0KHz Min	45±10mv	3.0% Max.						Motorola	MC3361
CD□455C50	±4.0KHz Min	64±6.4mv	4.0% Max.						Sony	CXA3117

* Specifications Subject to Change Without Notice □ Please specify Type A or Type B when inquiring and ordering

DIMENSIONS



PACKAGE

- Standard package in bulk: 500pcs/bag, 10 bags/inner box, 10 box/carton

PART NUMBER GUIDE

TGS	CD	A	455	C4	B
Mark	Ceramic Discriminator	A: Type A B: Type B	Centre Freq.	Grade	B: Bulk

e.g. Full P/N.: TGS CDA 455 C4 B

