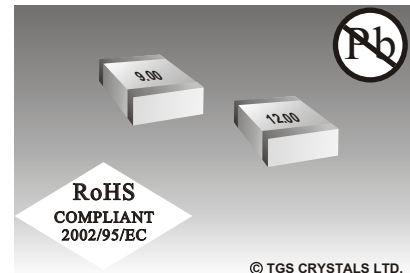


FEATURES

- Low Cost
- MHz Ceramic Resonators in SMD Type 3.7X3.1X1.2mm

APPLICATIONS

- Consumer Electronics
- Communications



© TGS CRYSTALS LTD.

SPECIFICATION *

Parameters	Product	Option Code
	ZTA	CRA
Dimensions:	3.7X3.1X1.2mm	△ V
Frequency Range:	8.00~50.00MHz	△ Specify
Frequency Accuracy :	±0.5%	▲
Temp. Stability At -20°C~80°C:	±0.3%	▲
Load Capacitance C1,C2:	MT: 30pF MX: 30pF (16.01~19.99MHz) 15pF (20.00~25.99MHz) 5pF (26.00~50.00MHz)	▲ ▲ ▲ ▲
Operating Temp. Range:	-20°C~+80°C	▲
Storage Temp. Range:	-40°C~+85°C	▲
Equivalent Series Resistance (ESR):	40 ohm Max.	▲
Withstanding Voltage:	50V DC 1minute	▲
Rating Voltage:	D. C. Voltage: 6V. D. C. A. C. Voltage: 15Vpp	▲ ▲
Insulation Resistance:	100M ohm Min.(at 10V DC)	▲
Aging (Over 10 years):	±0.5% ppm	▲
Supply Voltage V _{DD} :	+5.0V	▲
Applicable IC:	1/6TC4069UBP	△
Design Mode:	See Table 1	△ Specify
Package:	Tape/Reel	△ T

▲ Standard * Specifications Subject to Change Without Notice
△ Optional: please specify required code when inquiring or ordering

PACKAGE

- Standard package in T/R: 4000pcs/Reel, 2 Reel/inner box, 5 box/carton
See page 124 for detail dimensions

STANDARD FREQUENCIES

Frequency in MHz

8.000000	10.00000	16.93000	24.00000
8.180000	12.00000	18.00000	27.00000
8.380000	14.74000	18.43000	33.86000
9.000000	14.76000	20.00000	
9.600000	16.00000		

Table 1

Design Mode	Freq. Range	Option Code
Thickness Expander Mode	8.000 ~ 12.0MHz	T
Thickness Expander Mode (3rd Overtone)	16.01 ~ 50.0MHz	X

PART NUMBER GUIDE

TGS	CR	A	V	12.0M	X	T
Mark	Ceramic Resonator	Without built-in capacitance	Dimensions	Freq. Range	Design Mode	Package

e.g. Full P/N.: TGS CRAV 12.0M X T

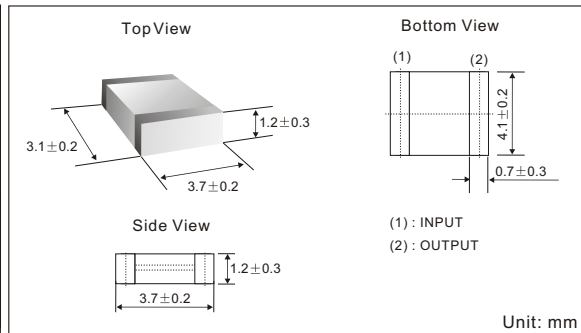
Updated on Oct.2009

www.tgsinc.us

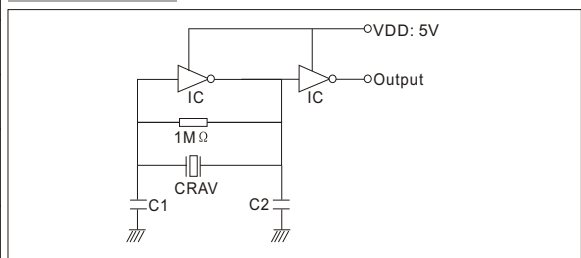
© TGS (USA), INC.



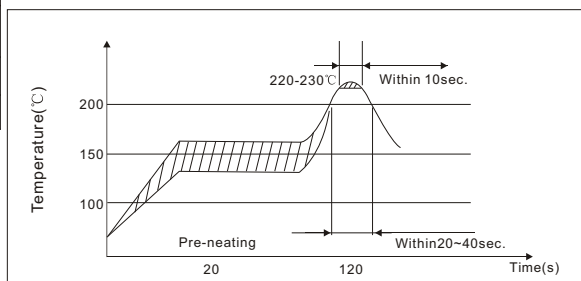
DIMENSIONS



TEST CIRCUIT



RECOMMENDED REFLOW SOLDERING STANDARD CONDITIONS



RECOMMENDED LAND PATTERN

