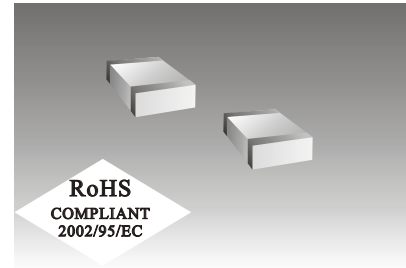


FEATURES

- Low Cost
- Dimension: 2.5x2.0x1.2mm
- High Frequency Range
- Without built in capacitor

APPLICATIONS

- Consumer Electronics



SPECIFICATION *

Parameters	Product	Option Code
	ZT A	CRA
Frequency Range:	24.00~50.0MHz	△ Specify
Dimensions:	2.5X2.0X1.2mm	△ W
Initial Tolerance :	±0.5%	▲
Operating Temp. Range:	-20℃~+80℃	▲
Storage Temp. Range:	-40℃~+85℃	▲
Equivalent Series Resistance (ESR):	50 Ω Max.	▲
Insulation Resistance :	50M Ω Min.	▲
Rating Voltage:	D. C. Voltage:6V. D. C. A . C. Voltage:10Vp-p	▲ ▲
Withstanding Voltage:	DC 100V, 5 seconds. Max.	▲
Ageing (Over 10 years):	±0.3ppm	▲
Supply Voltage V _{DD} :	+5.0V	▲
Cut Mode:	Thickness Expander mode (3rdOT)	△ MX
Package:	Tape/Reel	△ T

▲ Standard * Specifications Subject to Change Without Notice
△ Optional: please specify required code when inquiring or ordering

PACKAGE

- Standard package in T/R: 1000pcs/Reel, 2 Reel/r box, 5 box/carton
Please Contact us for detail dimensions

STANDARD FREQUENCIES

Frequency in MHz

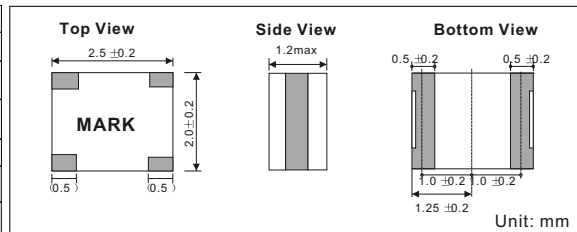
24.000000	28.000000	33.860000	48.00000
25.000000	30.000000	40.000000	50.00000

PART NUMBER GUIDE

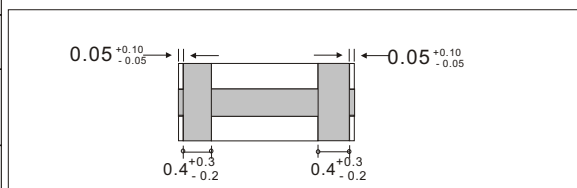
TGS	CR	A	W	40.0	MX	T
Mark	Ceramic Resonator	Without built in capacitor	2.5x2.0x1.2mm	Freq. Range	Cut Mode	Package

e.g. TGS CRAW 40.0 MX T

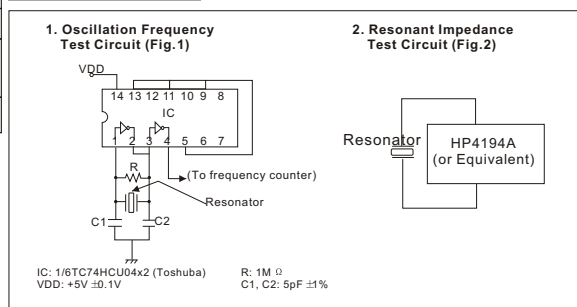
DIMENSIONS



RECOMMENDED LAND PATTERN



TEST CIRCUIT



RECOMMENDED REFLOW SOLDERING STANDARD CONDITIONS

