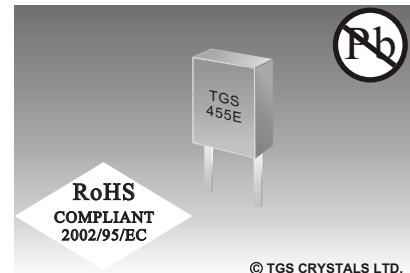


FEATURES

- KHz Band
- Ex-stock Available
- Good Stability

APPLICATIONS

- Communications
- Consumer Electronics



© TGS CRYSTALS LTD.

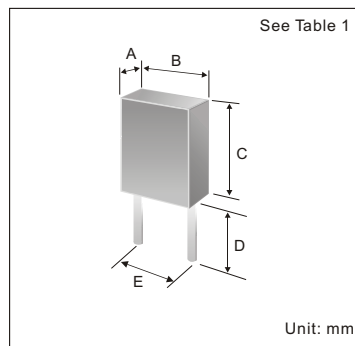
SPECIFICATION *

Table 1

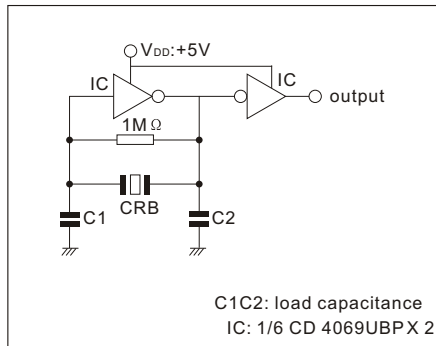
Part Number	Frequency Range (KHz)	Frequency Tolerance (at 25°C)	Frequency Stability Temperature (-20°C~+80°C)	Aging Rate (for 10 Years)	Resonant Resistance (Ω)Max.	C1 (pF)	C2 (pF)	Dimensions (Tolerance: ± 0.3 mm)				
								A	B	C	D	E
CRBA□□□D	190~249	± 1.0 KHz	$\pm 0.3\%$	$\pm 0.5\%$	20	330	470	3.8	13.5	14.7	8.0	10.0
CRBA□□□D	250~374	± 1.0 KHz	$\pm 0.3\%$	$\pm 0.5\%$	20	220	470	3.8	11.0	12.2	7.0	7.7
CRBA□□□P	375~429	± 2.0 KHz	$\pm 0.3\%$	$\pm 0.5\%$	20	120	470	3.6	7.9	9.3	6.0	5.0
CRBA□□□E	430~449	± 2.0 KHz	$\pm 0.3\%$	$\pm 0.5\%$	20	100	100	3.6	7.9	9.3	5.0	5.0
CRBA□□□E	450~509	± 2.0 KHz	$\pm 0.3\%$	$\pm 0.5\%$	20	100	100	3.5	7.0	9.0	5.0	5.0
CRBA□□□P	510~699	± 2.0 KHz	$\pm 0.3\%$	$\pm 0.5\%$	35	100	100	3.5	7.0	9.0	5.0	5.0
CRBA□□□J	700~999	$\pm 0.5\%$	$\pm 0.3\%$	$\pm 0.5\%$	70	100	100	2.2	5.0	6.0	3.5	2.5
CRBA□□□MJ	1000~1250	$\pm 0.5\%$	$\pm 0.3\%$	$\pm 0.5\%$	100	100	100	2.2	5.0	6.0	3.5	2.5

* Specifications Subject to Change Without Notice □ Please specify frequency Range

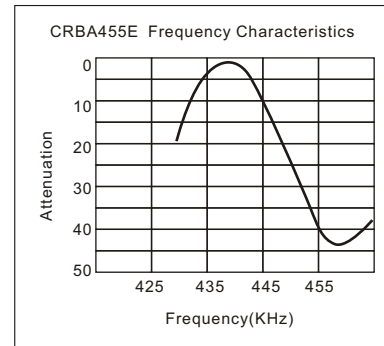
DIMENSIONS



TEST CIRCUIT



CHARACTERISTICS



PACKAGE

- Standard package in bulk: 500pcs/bag, 10 bags/inner box, 10 box/carton

PART NUMBER GUIDE

TGS	CR	B	A	455	E	B
Mark	Ceramic Resonator	KHz Band Series	Type A	Freq. Range	Grade	Bulk

e.g. Full P/N.: TGS CRBA 455E B