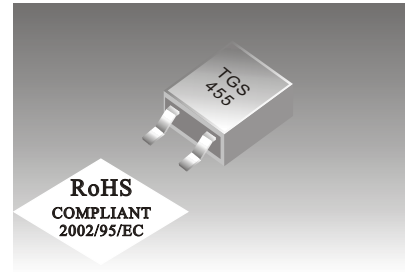


FEATURES

- KHz Band
- Ex-stock Available
- Good Stability
- SMD Type

APPLICATIONS

- Communications
- Consumer Electronics

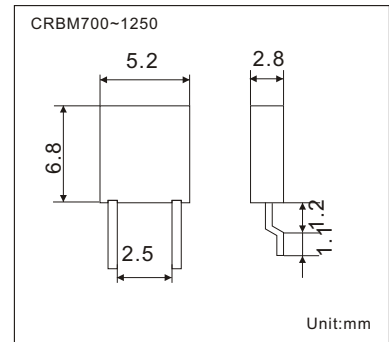
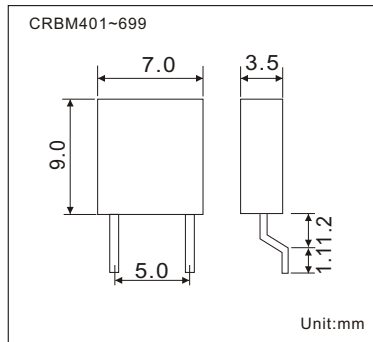
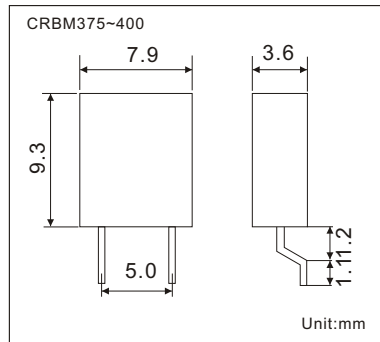


SPECIFICATION *

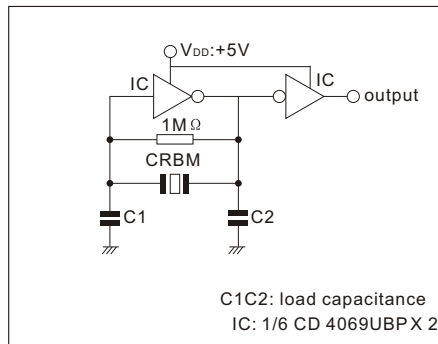
Part Number	Frequency Range (KHz)	Frequency Accuracy(%)	Frequency Stability Temperature (-20°C~+80°C)	Aging Rate (for 10 Years)	Resonant Resistance (Ω)Max.	Load Capacitance		Package
						C1 (pF)	C2 (pF)	
CRBM□□□□	375~429	±0.5	±0.3%	±0.5%	20	120	470	Tape/Reel
CRBM□□□□	430~509	±0.5	±0.3%	±0.5%	20	100	100	
CRBM□□□□	510~699	±0.5	±0.3%	±0.5%	30	100	100	
CRBM□□□□	700~900	±0.5	±0.3%	±0.5%	50	100	100	
CRBM□□□□	901~1000	±0.5	±0.3%	±0.5%	70	100	100	
CRBM□□□□	1001~1250	±0.5	±0.3%	±0.5%	10	100	100	

* Specifications Subject to Change Without Notice □ Please specify frequency Range

DIMENSIONS



TEST CIRCUIT



PACKAGE

- Standard package in T/R: 1000pcs/Reel, 2Reel/inner box, 5 box/carton
- See page 123 for detail dimensions

PART NUMBER GUIDE

TGS	CR	B	M	455	T
Mark	Ceramic Resonator	KHz Band Series	SMD Type	Frequency Range	package

e.g. Full P/N.: TGS CRBM 455 T