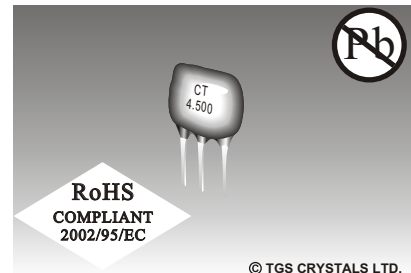


FEATURES

- Low Cost
- Ex-stock Availability

APPLICATIONS

- TV/VCR



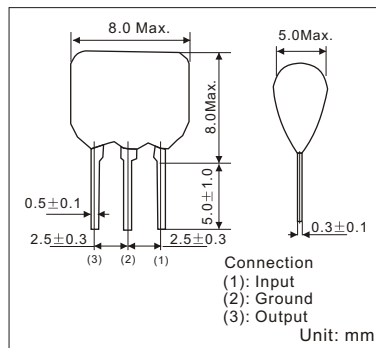
© TGS CRYSTALS LTD.

SPECIFICATION *

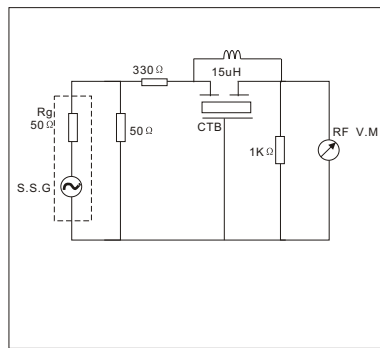
Part Number	Centre Frequency (fn 1) (Mhz)	Attenuation (at fn 1) (dB) Min	30 dB Attenuation BW (fn 1) (Khz) Min
CT3.58M	3.580	25	40 (25dBAtt. BW)
CT4.43M	4.430	30	40
CT4.5M	4.500	35	50
CT5.5M	5.500	35	70
CT5.74M	5.742	35	70
CT6.0M	6.000	35	70
CT6.5M	6.500	35	70

* Specifications Subject to Change Without Notice

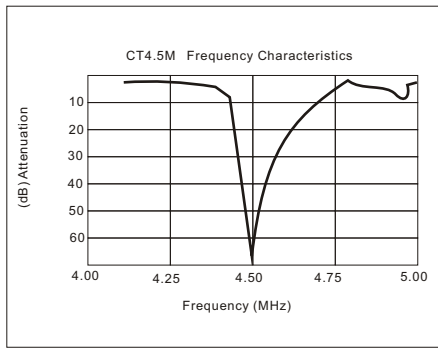
DIMENSIONS



TEST CIRCUIT



CHARACTERISTICS



PACKAGE

- Standard package in bulk: 1000 pcs/ box, 10 box/carton
- See page 126 for detail dimensions

PART NUMBER GUIDE

TGS	CT	4.5M	B
Mark	Ceramic Trap	Frequency Range	Package in bulk

e.g. Full P/N.: TGS CT 4.5M B