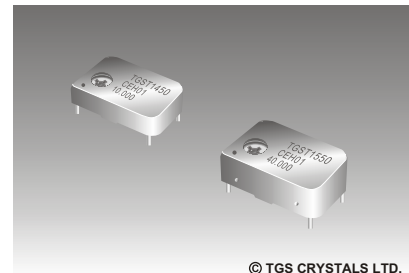


FEATURES

- Wide Freq. Range up to 40.0MHz
- Low Aging
- Supply Voltage in 3.3V & 5.0V
- TTL, HCMOS, AC MOS, Clipping Sing Wave, Sing Wave

APPLICATIONS

- SDH/SONET
- ATM
- WLL
- Measurement Equipment



© TGS CRYSTALS LTD.

SPECIFICATION *

Parameters	Product	Option Code
	TCXO	T
Frequency Range:	1.0~40.00MHz	△ Specify
Dimensions:	18.3X11.7X8.7mm	△ T15A
	18.3X11.7X4.7mm	△ T15B
Supply Voltage(V _{DD}):	+3.3VDC	△ 30
	+5.0VDC	△ 50
Frequency Stability vs Temp.:	See Table 1	△ Specify
Frequency Accuracy:	±1.0 ppm Max.	▲
Storage Temp. Range:	-40℃~+100℃	▲
Output Waveform and Load Characteristics:	See Table 2	△ Specify
Frequency Stability vs. Loas:	±0.1ppm Max vs. ±10% load change	▲
Freq. Stability vs. Voltage Change:	±0.2ppm Max. Vs. ±5% voltage change	▲
Supply Current:	See Table 2	△ Specify
Phase Noise:	10Hz, -70dBc/Hz	▲
	100Hz, -100dBc/Hz	▲
	1KHz, -130dBc/Hz	▲
	10KHz, -140dBc/Hz	▲
	100KHz, -145dBc/Hz	▲
Aging:	±1ppm/Year Max.	▲
Package:	Bulk	▲

▲ Standard * Specifications Subject to Change Without Notice
 △ Optional: please specify required code when inquiring or ordering

FREQUENCY STABILITY VS TEMPERATURE Table 1

Code	Frequency Stability Vs Temp.	Temp. Range
A	±1.0ppm Max.	0℃~+50℃
B	±1.5ppm Max.	0℃~+70℃
C	±2.0ppm Max.	-20℃~+70℃
D	±3.0ppm Max.	-30℃~+75℃
E	±5.0ppm Max.	-40℃~+85℃

STANDARD FREQUENCIES Frequency in MHz

7.000000	9.000000	9.600000	40.00000
7.280000	9.100000	10.00000	

PACKAGE

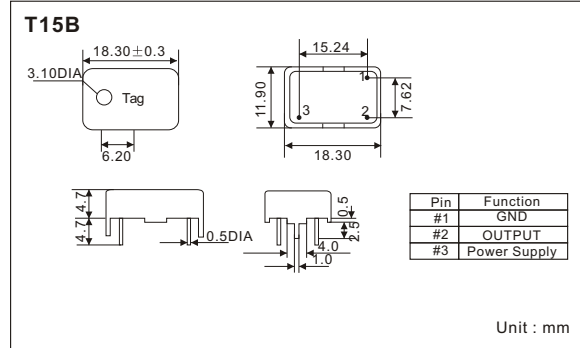
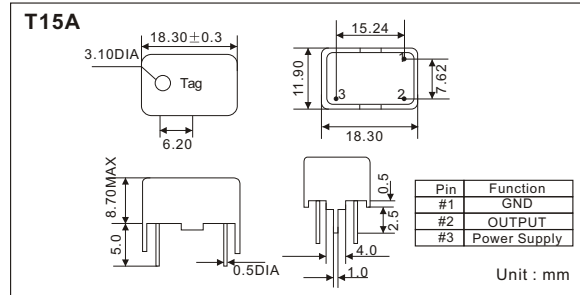
- Standard package in Bulk & Packed in box.

PART NUMBER GUIDE

TGS	T	15A	50	C	01	-10M000
Mark	TCXO	Dimensions	Supply Voltage	See Table 1	See Table 2	Frequency Range

e.g. Full P/N.: TGS T15A50C01-10M000

DIMENSIONS *



OUTPUT WAVEFORM & LOAD CHARACTERISTICS

Table 2

Output Waveform	Output Characteristics	Option Code
Clipping Sine Wave	Load: 10KΩ / 10pF Output level: >1Vp-p Current : 4mA Max	01
TTL	Load: Max. 10 low power consumption TTL gates " 1 " level: >+2.4VDC " 0 " level: <+0.2VDC Duty Cycle: 40/60 Rise/fall time: <6ns Current : 20mA Max	02
HCMOS	Load: Max. 10 low power consumption TTL/HCMOS " 1 " level: >+4.5VDC " 0 " level: <+0.5VDC Duty Cycle: 40/60 Rise/fall time: <6ns Current : 20mA Max	03
ACMOS	Load: Max. 10 low power consumption TTL/ACMOS " 1 " level: >+4.5VDC " 0 " level: <+0.5VDC Duty Cycle: 40/60 Rise/fall time: <6ns Current : 20mA Max	04
Sine Wave	Load: Nominal value 50Ω Output level: >2dBm Harmonic Attenuation: <-25dBc Noise Attenuation: <-75dBc Current : 15mA Max	05