

FEATURES

- Wide Frequency Range
- Resistance Weld
- SMD With Metal Jacket
- Tight Tolerance and Stability over Temperature
- Lead Free available
- Offer Fitted Insulators and 3 Pins

APPLICATIONS

- Pagers
- Communications
- Telemetry
- Automotive Electronics



© TGS CRYSTALS LTD.

SPECIFICATION *

Parameters	Product		Option Code	
	UM-1-SM	UM-5-SM	CAM	CBM
Frequency Range:	6.00~200.0MHz		△	Specify
Oscillation Mode:	AT Fund. (6~40MHz)	△	A	
	BT Fund. (25~40MHz)	△	B	
	3rd OT (25~100MHz)	△	C	
	5th OT (80~155MHz)	△	D	
	7th OT (120~200MHz)	△	E	
Frequency Tolerance:	±5ppm	△	5	
	±7.5ppm	△	7.5	
	±10ppm	△	10	
	±20ppm	△	20	
	±30ppm	▲	30	
	±50ppm	△	50	
Other Values	△	Specify		
Load Capacitance:	12pF	△	12	
	16pF	△	16	
	20pF	▲	20	
	30pF	△	30	
	Series Resonant	△	S	
	Other Values	△	Specify	
Frequency Stability:	±5ppm	△	5	
	±7.5ppm	△	7.5	
	±10ppm	△	10	
	±20ppm	△	20	
	±30ppm	▲	30	
	±50ppm	△	50	
Other Values	△	Specify		
Operating Temp. Range:	0℃~+50℃	△	0	
	-10℃~+60℃	▲	10	
	-20℃~+70℃	△	20	
	-40℃~+85℃	△	40	
	Other Values	△	Specify	
Storage Temp. Range:	-40℃~+85℃	▲		
Equivalent Series Resistance (ESR):	See Table 1	△	Specify	
Drive Level:	1000 uW Max.	▲		
Shunt Capacitance (C 0):	7.0 pF Max.	▲		
Aging:	±5ppm Max.	▲		
Package:	Bulk	△	B	
	Tape/Reel	△	T	
Other Values:	3 pins	△	3	
	Fitted Insulating Washer	△	W	
	Lead Free	△	LF	

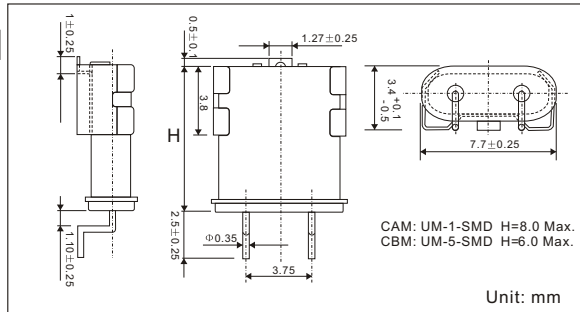
▲ Standard * Specifications Subject to Change Without Notice
 △ Optional: please specify required code when inquiring or ordering

PARTNUMBER GUIDE

TGS	C	AM	10M0	A	50	- 20	- 50	- 10	- 50	- T	W
Mark	Quartz Crystals	AM:UM-1-SMD H=8.0mm BM:UM-5-SMD H=6.0mm	Freq. Range	Oscillation Mode	Freq. Tolerance	Load Capacitance	Freq. Stability	Operating Temp. Range	ESR	Package	Other Values

e.g. Full P/N.: TGS CAM 10M0A50-20-50-10-50T W
 Short P/N.: CAM 10M0A20T W (Others is standard Spec.)

DIMENSIONS



ESR VALUES

Table 1

Frequency Range (MHz)	ESR Max (ohm)	Frequency Range (MHz)	ESR Max (ohm)
6.0000~6.99900	120	20.0000~23.9990	30
7.0000~9.99900	100	24.0000~34.9990	100
10.0000~13.9990	50	35.0000~99.999	80
14.0000~19.9990	40	100.000~200.000	150

PACKAGE

- Standard package in T/R: 1000pcs/Reel, 2 Reel/ box, 5 box/carton, See page 116 for detail dimensions

