

## FEATURES

- High Speed CMOS ● High Reliability & Precision ● Lead Free available
- 2 Holder Type 14Pin & 8Pin ● Supply Voltage in 3.3V & 5.0V

## APPLICATIONS

- Set Top Box ● ADSL Modem

## SPECIFICATION \*

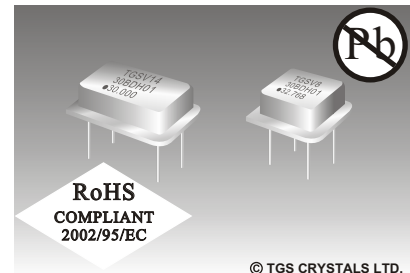
Parameters	Product	Option Code
	VCXO	V
Frequency Range: 500KHz ~ 100.0MHz	△	Specify
Dimensions:	14Pin: 20.8X13.2X5.08mm	△ 14
	8Pin: 13.2X13.2X5.08mm	△ 8
Supply Voltage(V <sub>DD</sub> ):	+3.3V dc±5%	△ 3
	+5.0V dc±5%	△ 5
Enable/Disable Function:	N/A	△ 0
Frequency Stability:	±25ppm	△ A
	±50ppm	△ B
	±100ppm	▲ C
Frequency Pull ability:	±100ppm Min.	▲
	Other Values	△ Specify
Linearity:	±10% Max.	▲
Operating Temp. Range:	0°C~+70°C	▲ D
	-10°C~+60°C	△ E
	-20°C~+70°C	△ F
	-40°C~+85°C	△ G
Storage Temp. Range:	-40°C~+85°C	▲
Symmetry:	40:60	△ H
	45:55	△ I
Supply Current:	20mA Max.(3.3V)	▲
	30mA Max.(5.0V)	▲
Start up Time:	10mS Max.	▲
Rise/Fall time:	10nS Max.	▲
Output Voltage:	'0' / '1' level=+0.4VMax./+3.0V Min.(3.3V)	▲
	'0' / '1' level=+0.5VMax./+2.4V Min.(5.0V)	▲
Output Load:	1-10TTL//15PF	▲ 01
	1-10TTL	△ 02
	HCMOS 15pF	△ 03
	HCMOS 30pF	△ 04
	HCMOS 50pF	△ 05
Aging:	±5ppm Max.	▲
Package:	Tube	▲
Other Values:	Lead Free	△ LF

▲ Standard \* Specifications Subject to Change Without Notice  
 △ Optional: please specify required code when inquiring or ordering

## PART NUMBER GUIDE

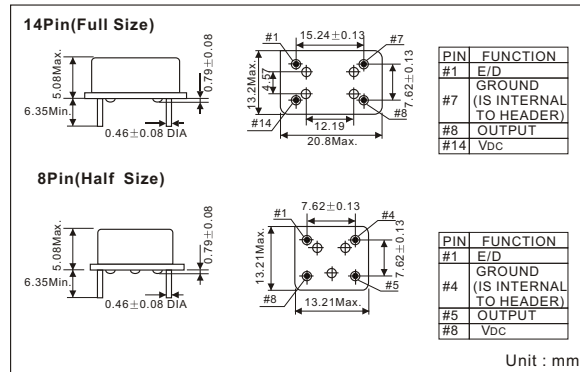
TGS	V	14	3	0	B	D	H	01	-32M768
Mark	VCXO	Dimensions	Supply Voltage	Enable/Disable Function N/A	Freq. Stability	Operating Temp. Range	Symmetry	Output Load	Frequency Range

e.g. Full P/N.: TGS V14 30BDH01-32M768



© TGS CRYSTALS LTD.

## DIMENSIONS



## STANDARD FREQUENCIES

Frequency in MHz

8.192000	16.38400	20.48000	27.00000
13.50000	17.73447	24.57600	32.76800
14.31818	19.44000		

## PACKAGE

- Standard package in Tube: 20pcs/Tube for 14Pin, 33pcs/Tube for 8Pin