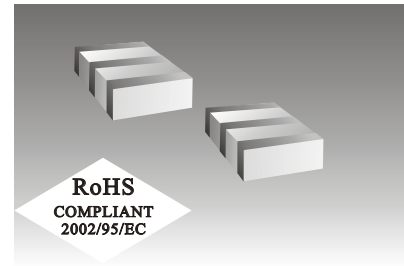


## FEATURES

- Low Cost
- SMD Type For 2.5x2.0x1.5mm
- High Frequency Range
- With built in capacitor

## APPLICATIONS

- Consumer Electronics



## SPECIFICATION \*

Parameters	Product	Option Code
	ZTT	CRT
Frequency Range:	24.00~50.0MHz	△ Specify
Dimensions:	2.5X2.0X1.5mm	△ W
Initial Tolerance :	±0.5%	▲
Built-in Capacitance (C1, C2):	8pf±20%	▲
Operating Temp. Range:	-20℃~+80℃	▲
Storage Temp. Range:	-40℃~+85℃	▲
Equivalent Series Resistance (ESR):	50Ω Max.	▲
Insulation Resistance :	50MΩ Min.	▲
Rating Voltage:	D. C. Voltage:6V.D. C. A. C. Voltage:10Vp-p	▲
Withstanding Voltage:	DC 100V, 5seconds. Max.	▲
Ageing (Over 10 years):	±0.3ppm	▲
Supply Voltage V <sub>DD</sub> :	+5.0V	▲
Cut Mode:	Thickness Expander mode (3rd OT)	△ MX
Package:	Tape/Reel	△ T

▲ Standard \* Specifications Subject to Change Without Notice  
 △ Optional: please specify required code when inquiring or ordering

## PACKAGE

- Standard package in T/R: 1000pcs/Reel, 2 Reel/r box, 5 box/carton  
 Please Contact us for detail dimensions

## STANDARD FREQUENCIES

Frequency in MHz

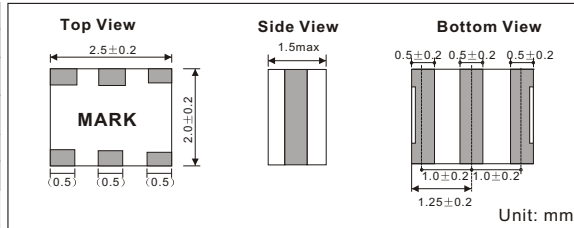
24.000000	28.000000	33.860000	48.00000
25.000000	30.000000	40.000000	50.00000

## PART NUMBER GUIDE

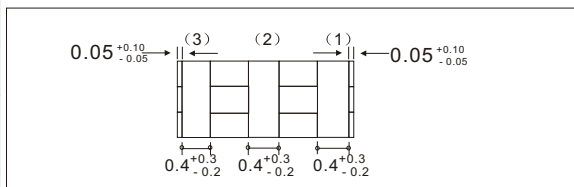
TGS	CR	T	W	33.86	MX	T
Mark	Ceramic Resonator	With built in capacitor	2.5x2.0x1.5mm	Freq. Range	Cut Mode	Package

e.g. TGS CRTW 33.86 MX T

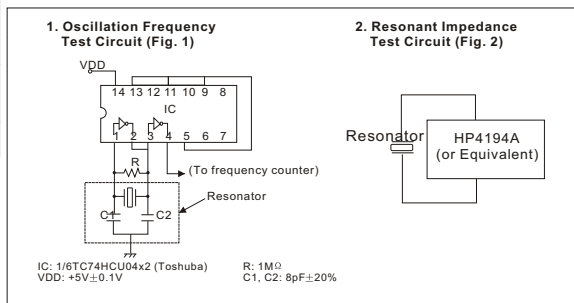
## DIMENSIONS



## RECOMMENDED LAND PATTERN



## TEST CIRCUIT



## RECOMMENDED REFLOW SOLDERING STANDARD CONDITIONS

