

FEATURES

- Wide Frequency Range
- Low Cost
- Available GullWing SMD Version
- 2 Holder Type 14Pin & 8Pin
- Supply Voltage in 3.0V & 5.0V
- Lead Free available
- Available in Tristate(Control via pin 1) & Industry Standard Device

APPLICATIONS

- IT Applications
- Data Communications
- Telecommunications
- Automotive Electronics

SPECIFICATION *

| Parameters | Product | Option Code |
|-----------------------------------|--|-------------|
| | Oscillators | CO |
| Frequency Range: | 500KHz~155MHz | △ |
| Dimensions: | 14Pin: 20.8X13.2X5.08mm | △ |
| | 8Pin: 13.2X13.2X5.08mm | △ |
| Supply Voltage(V _{DD}): | +3.0V dc±10% | △ |
| | +5.0V dc±10% | △ |
| Enable/Disable Function: | N/A | △ |
| | Tristate(Control via pin 1) | △ |
| Frequency Stability: | ±25ppm | △ |
| | ±50ppm | ▲ |
| | ±100ppm | ▲ |
| Operating Temp. Range: | 0°C~+70°C | ▲ |
| | -10°C~+60°C | △ |
| | -20°C~+70°C | △ |
| | -40°C~+85°C | △ |
| Storage Temp. Range: | -40°C~+85°C | ▲ |
| Symmetry: | 40:60 | △ |
| | 45:55 | △ |
| Supply Current (Max.): | See Table 1 | ▲ |
| Start up Time: | 10 ms Max. | ▲ |
| Rise/Fall time: | 10nS (below 25MHz) | ▲ |
| | 6ns (25~70MHz) | ▲ |
| | 4nS (over~70MHz) | ▲ |
| Output Voltage: | 0` level=0.5V(10% V _{DD}) Max.(5.0V) | ▲ |
| | 1` level=4.5V(90%V _{DD}) Min.(5.0V) | ▲ |
| | 0` level=0.5V Max.(3.0V) | ▲ |
| | 1` level=2.4V Min.(3.0V) | ▲ |
| | | |
| Output Load: | 1-10TTL//15PF | ▲ |
| | 1-10TTL | △ |
| | HCMOS 15pF | △ |
| | HCMOS 30pF | △ |
| | HCMOS 50pF | △ |
| Aging: | ±5ppm Max. | ▲ |
| Package: | Tube | ▲ |
| Other Values: | Lead Free | △ |
| | | LF |

▲ Standard * Specifications Subject to Change Without Notice
 △ Optional: please specify required code when inquiring or ordering

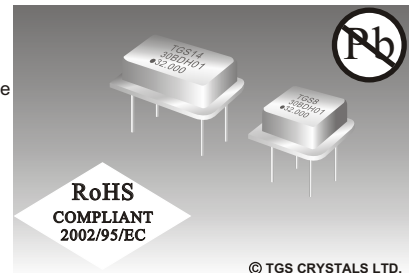
ENABLE/DISABLE FUNTION

| Input (Pin1) | Output (Pin 5 or pin 8) |
|--------------|-------------------------|
| Open | Enabled |
| 1` Level | Enabled |
| 0` Level | High Impedance |

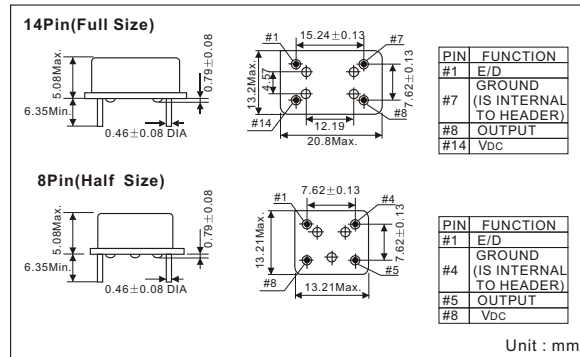
PART NUMBER GUIDE

| | | | | | | | | | |
|------|---------------------|------------|----------------|---|-----------------|-----------------------|----------|-------------|-----------------|
| TGS | CO | 14 | 3 | 0 | B | D | H | 01 | -32M000 |
| Mark | Crystal Oscillators | Dimensions | Supply Voltage | Enable/Disable Function 0: N/A 1: Tristate(Control via pin 1) | Freq. Stability | Operating Temp. Range | Symmetry | Output Load | Frequency Range |

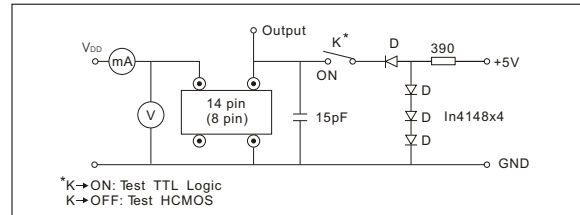
e.g. Full P/N.: TGS CO1430BDH01-32M00



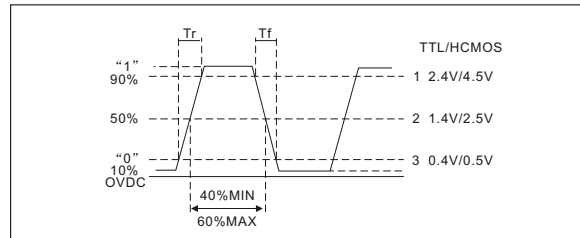
DIMENSIONS



CIRCUIT PRINTCIPLE



OUTPUT WAVE FORM



SUPPLY CURRENT

Table 1

| Frequency Range (MHz) | Supply current .Max (mA) |
|------------------------|--------------------------|
| 1.000000~5.000000 | 8 |
| 5.000000~24.000000 | 10 |
| 24.000000~40.000000 | 15 |
| 40.000000~50.000000 | 18 |
| 50.000000~67.000000 | 22 |
| 67.000000~80.000000 | 28 |
| 80.000000~100.000000 | 35 |
| 100.000000~125.000000 | 40 |

PACKAGE

●Standard package inTube: 20pcs/Tube for 14Pin, 33pcs/Tube for 8Pin

